

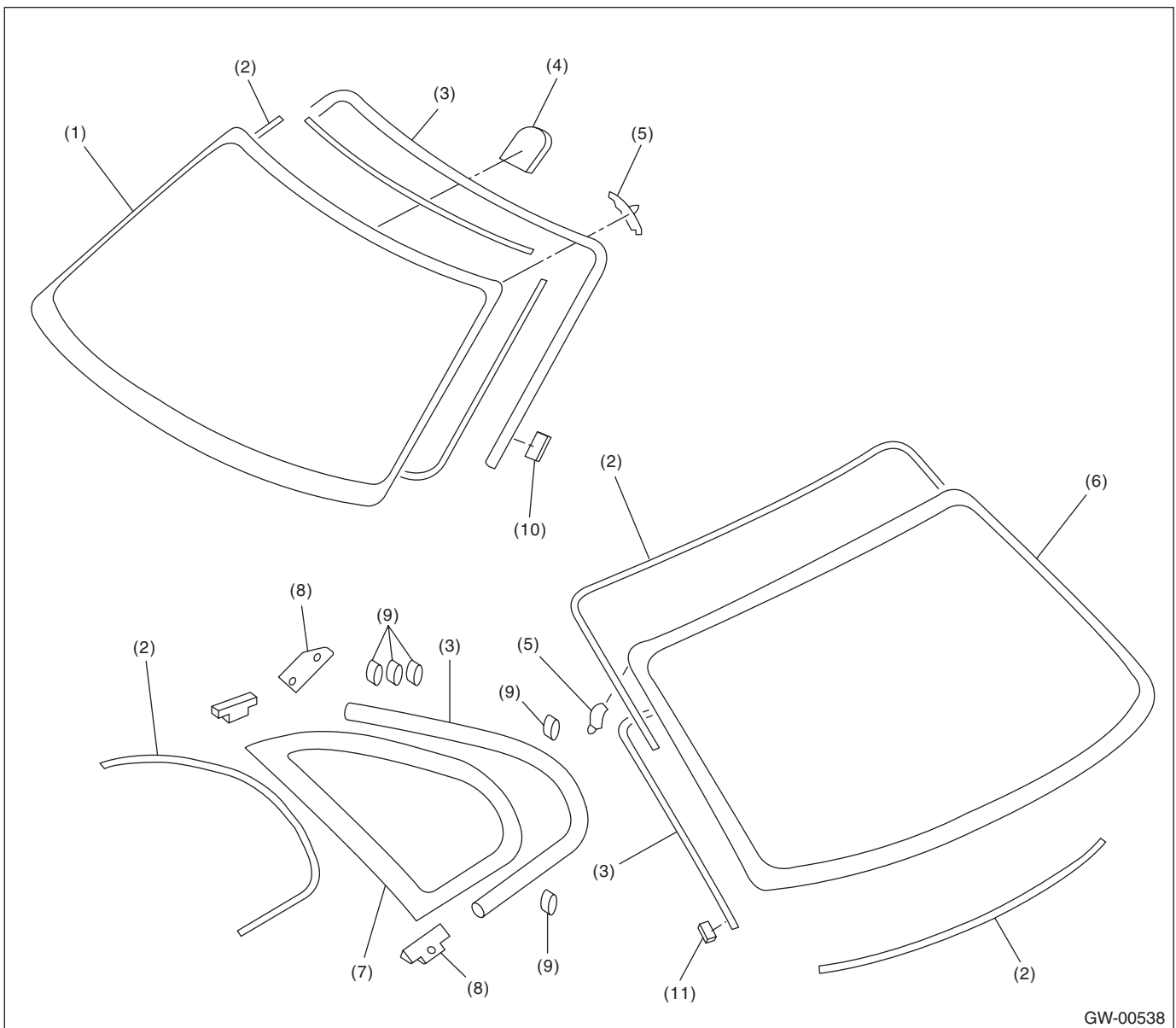
# General Description

GLASS/WINDOWS/MIRRORS

## 1. General Description

### A: COMPONENT

#### 1. FIXED GLASS (SEDAN MODEL)



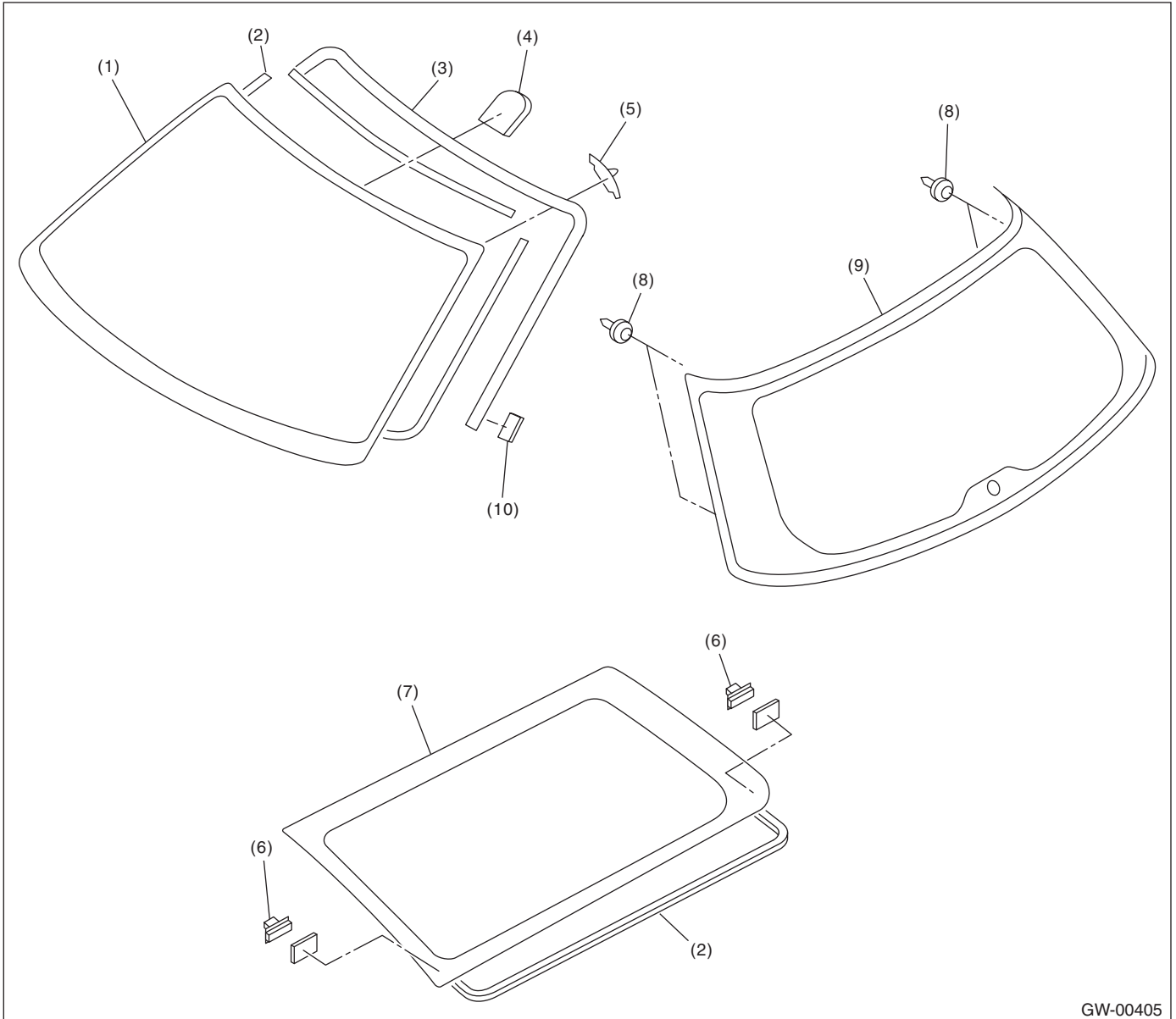
GW-00538

- (1) Windshield glass
- (2) Dam rubber
- (3) Molding
- (4) Rearview mirror mount

- (5) Locating pin
- (6) Rear window glass
- (7) Six light glass
- (8) Bracket

- (9) Clip
- (10) Seal
- (11) Spacer

## 2. FIXED GLASS (WAGON MODEL)



GW-00405

- (1) Windshield glass
- (2) Dam rubber
- (3) Molding
- (4) Rearview mirror mount

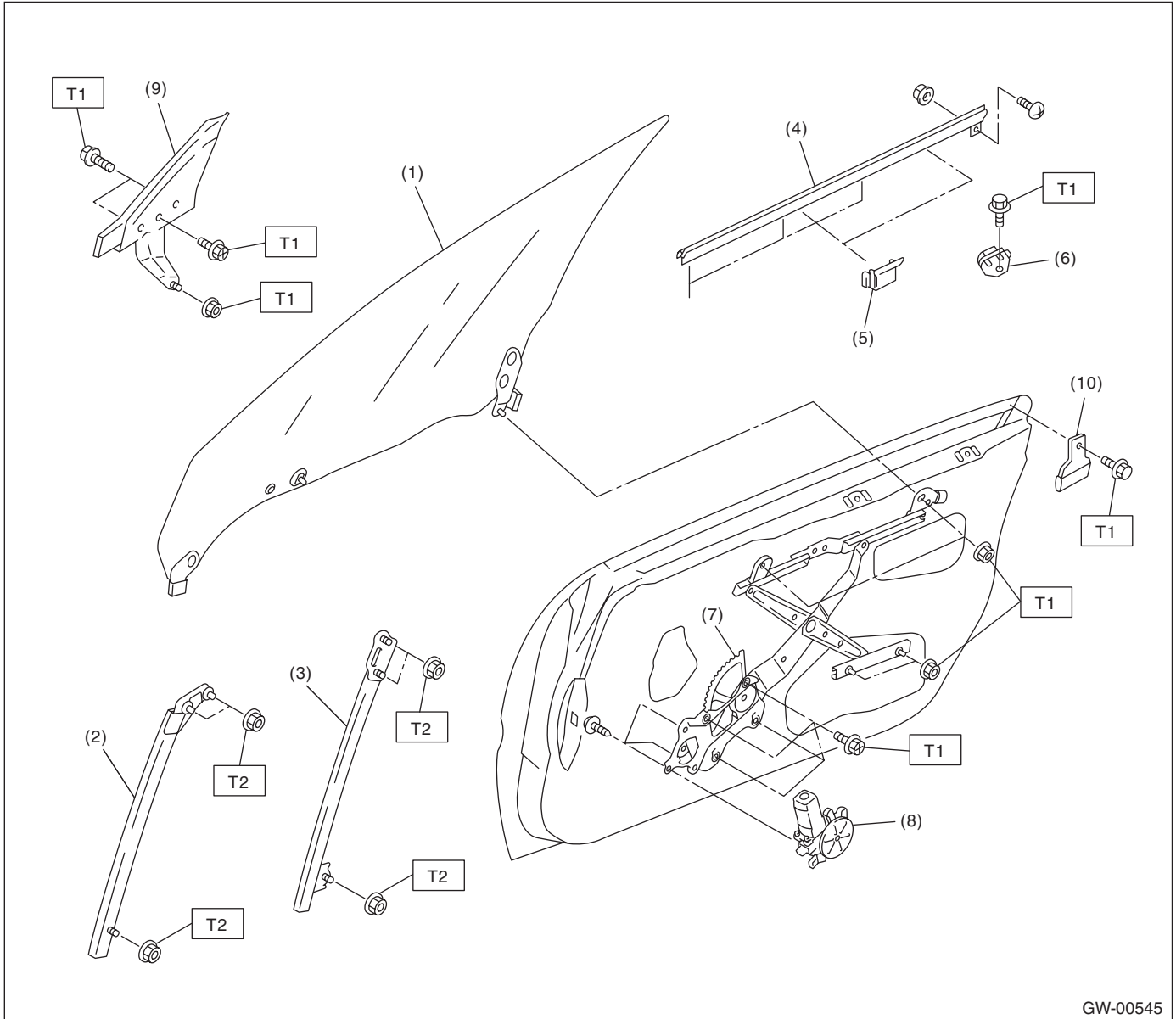
- (5) Locating pin
- (6) Fastener
- (7) Rear quarter glass

- (8) Locating pin
- (9) Rear gate glass
- (10) Seal

# General Description

GLASS/WINDOWS/MIRRORS

## 3. FRONT DOOR GLASS



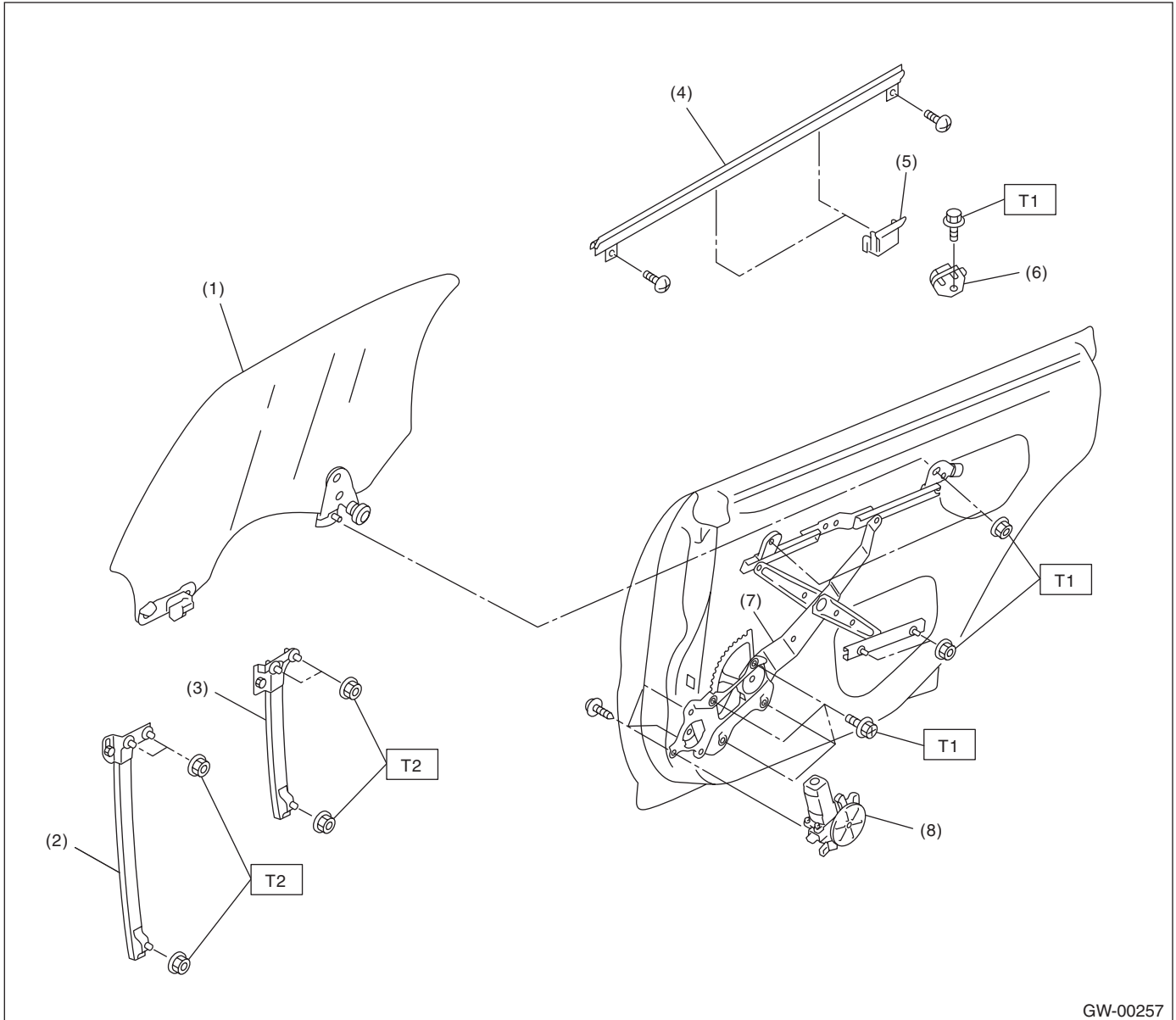
- |                        |                        |
|------------------------|------------------------|
| (1) Glass              | (6) Stabilizer (inner) |
| (2) Door sash (front)  | (7) Regulator ASSY     |
| (3) Door sash (rear)   | (8) Motor ASSY         |
| (4) Weather strip      | (9) Mirror gusset      |
| (5) Stabilizer (outer) | (10) Guide ASSY        |

**Tightening torque: N·m (kgf·m, ft·lb)**

**T1: 7.4 (0.75, 5.5)**

**T2: 13.7 (1.4, 10.1)**

## 4. REAR DOOR GLASS



- |                       |                        |
|-----------------------|------------------------|
| (1) Glass             | (5) Stabilizer (outer) |
| (2) Door sash (front) | (6) Stabilizer (inner) |
| (3) Door sash (rear)  | (7) Regulator ASSY     |
| (4) Weather strip     | (8) Motor ASSY         |

**Tightening torque: N·m (kgf·m, ft·lb)**

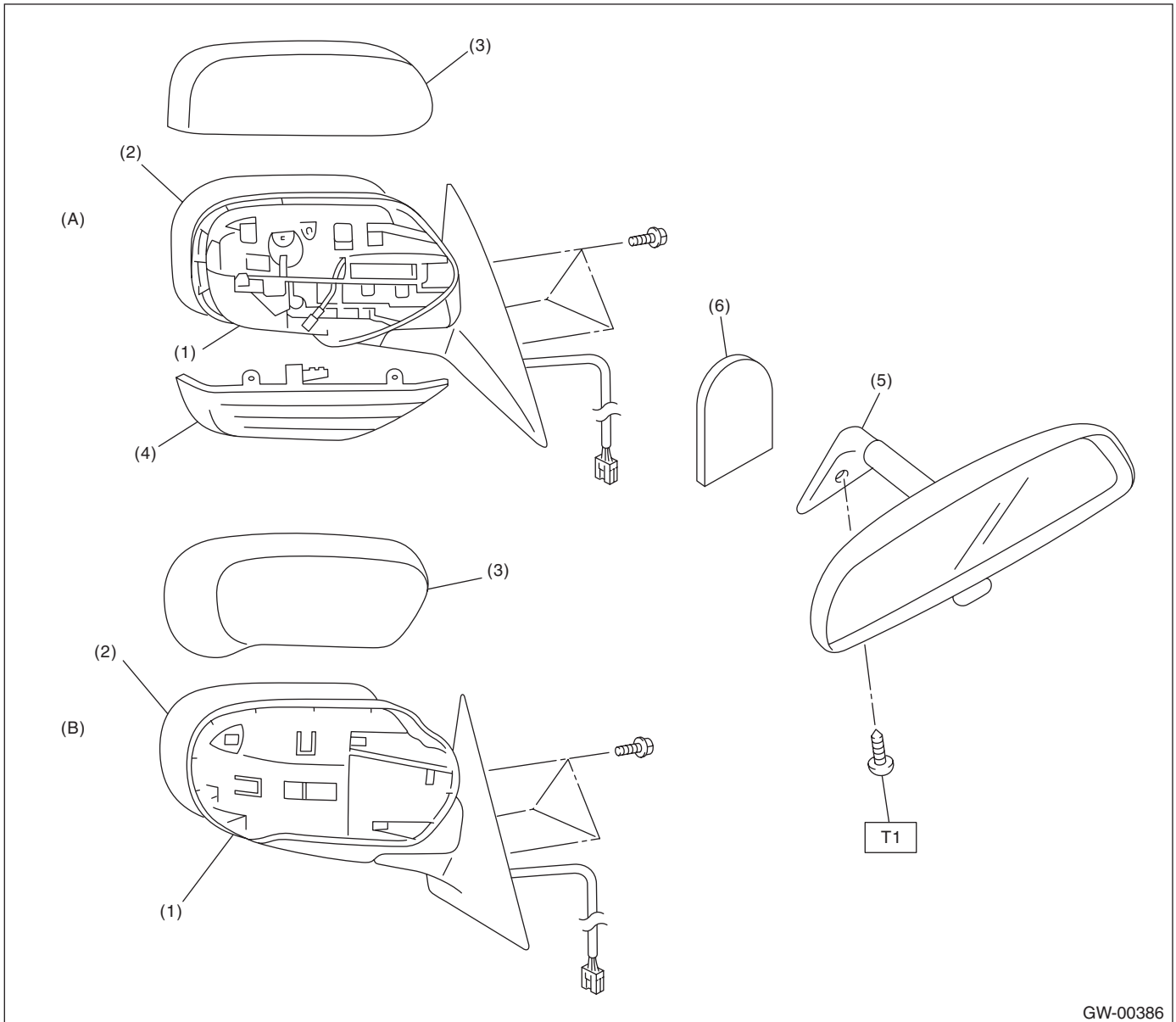
**T1: 7.4 (0.75, 5.5)**

**T2: 13.7 (1.4, 10.1)**

# General Description

## GLASS/WINDOWS/MIRRORS

### 5. MIRROR



GW-00386

(A) Model with side turn signal light

(B) Model without side turn signal light

(1) Outer mirror

(2) Mirror

(3) Scalp cap

(4) Side turn signal light

(5) Rearview mirror

(6) Mount

**Tightening torque: N·m (kgf·m, ft·lb)**

**T1: 1.9 (0.19, 1)**

### **B: CAUTION**

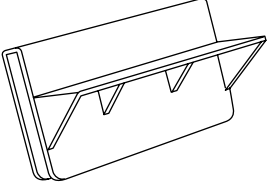
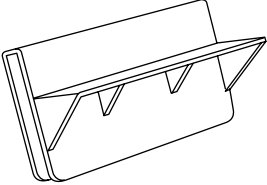
- When electrical connectors are disconnected, always conduct an operational check after connecting them again.
- Avoid impact and damage to the glass.

# General Description

GLASS/WINDOWS/MIRRORS

## C: PREPARATION TOOL

### 1. SPECIAL TOOL

ILLUSTRATION	TOOL NUMBER	DESCRIPTION	REMARKS
 <p>ST61299AE000</p>	61299AE000	SPACER	Used for adjusting the upper end position of the front door glass. (Glass thickness: 5 mm (0.197 in))
 <p>ST61299AE010</p>	61299AE010	SPACER	Used for adjusting the upper end position of rear door glass. (Glass thickness: 4 mm (0.157 in))

### 2. GENERAL TOOL

TOOL NAME	REMARKS
Circuit tester	Used for checking voltage and continuity.
Piano wire	Used for removing the window glass.
Windshield glass knife	Used for removing the window glass.
TORX® T20	Used for removing and installing the rearview mirror.